

## BioFrac Diverter Valve

Catalog Number 741-0008

Dear Bio-Rad Customer,

The BioFrac diverter valve contains a collect, waste and common port which is controlled via the BioFrac fraction collector. The BioFrac diverter valve is designed to have a minimal 12 ul internal volume and is 100% flushed in order to minimize loss of chromatographic resolution.

### Unpacking

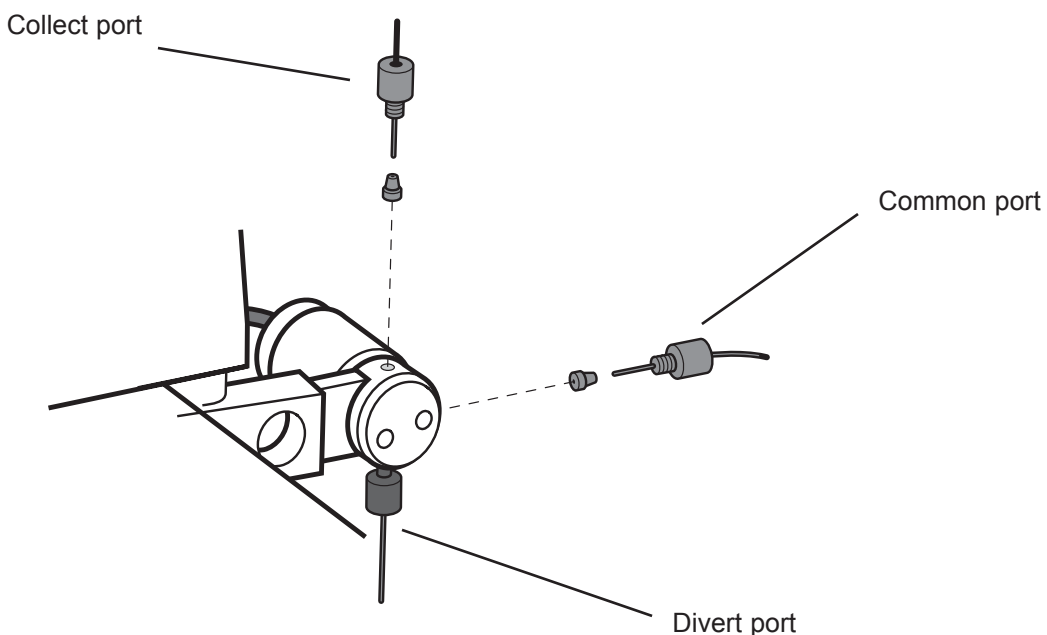
Remove the contents of the box. Check all of the parts against the following packing information.

Item Number	Quantity	Contents
1	1	BioFrac Diverter Valve
2	1	3/16 Allen wrench
3	1	Declaration of Conformity

Please check to insure that you have a complete set of components. In case of missing parts or other problems, contact your local representative, or in the United States, call Customer Service at 1-800-4BIORAD.

### BioFrac Diverter Valve placement

The diverter valve requires minimal plumbing and cabling to prepare it for use. To set up the BioFrac Diverter Valve on the BioFrac fraction collector:



1. Connect the diverter valve cable to the “Diverter Valve” port on the back of the Fraction Collector.
2. Attach the diverter valve to the Fraction Collector Head Support Rods on either the right or left side using the diverter valve rod clamp. The diverter rod clamp requires tightening with the 3/16” allen wrench sent with your system. The diverter valve should be attached so that the “Collect” port is pointed upwards and “Divert” is pointing down.
3. Connect one end of the 27 cm PEEK 1/16” OD tubing, supplied in the fraction collector fittings kit, to the “Collect” port of the diverter valve and the other end to the drop head. Use the 0.02” ID (orange) tubing for flow less than 20 ml/min and the 0.03” ID (green) tubing for flow rates greater than 20 ml/min.

**Note:** the diverter valve is rated to a maximum pressure of 30 psi.

**Note:** If the tubing supplied in the BioFrac fittings kit is not being used to plumb the fraction collector, keep all tubing lengths as short as possible to reduce the “delay volume” and back pressure. Tubing choice is dependent on the flow rate and pressure characteristics of the pumping system. For flow rate above 20 ml/min use tubing with 0.03” ID or 1/8” OD and 0.062” ID (available from most tubing/fitting suppliers).

4. Attach the Tefzel® tubing to the “Divert” port of the diverter valve and the other end to a waste collection vessel. Use the 0.02” ID tubing for flow less than 20 ml/min and the 0.03” ID tubing for flow rates greater than 20 ml/min.
5. Attach the tubing from your chromatography system to the “Common” port on the divert valve using either a 1/4-28 fitting or Luer to 1/4-28 Union. The BioFrac Fittings Kit includes 1/4-28 fittings for use with 1/16” OD tubing and Luer to 1/4-28 Unions.