

Dimensional Specifications for Automation Using Microseal[®] 96- and 384-Well Skirted PCR Plates

The dimensions on the illustrations below are provided for those who wish to use Microseal PCR plates in automated workstations.

Note: Microseal skirted PCR plates meet ANSI-SBS standards 1-2004 and 4-2004 for footprint and well position.

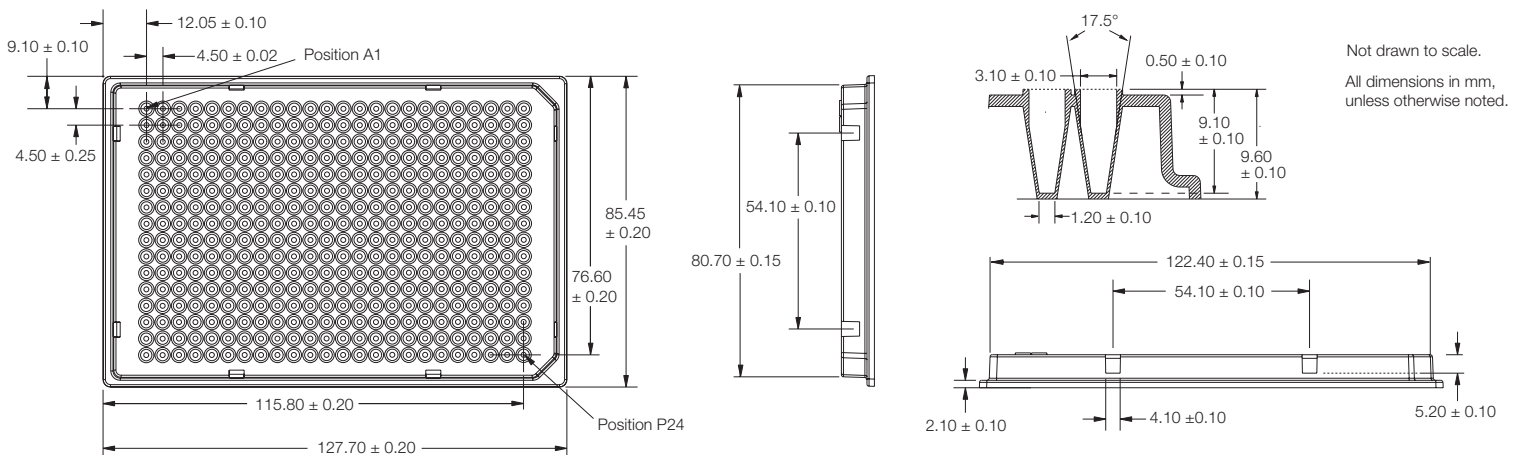
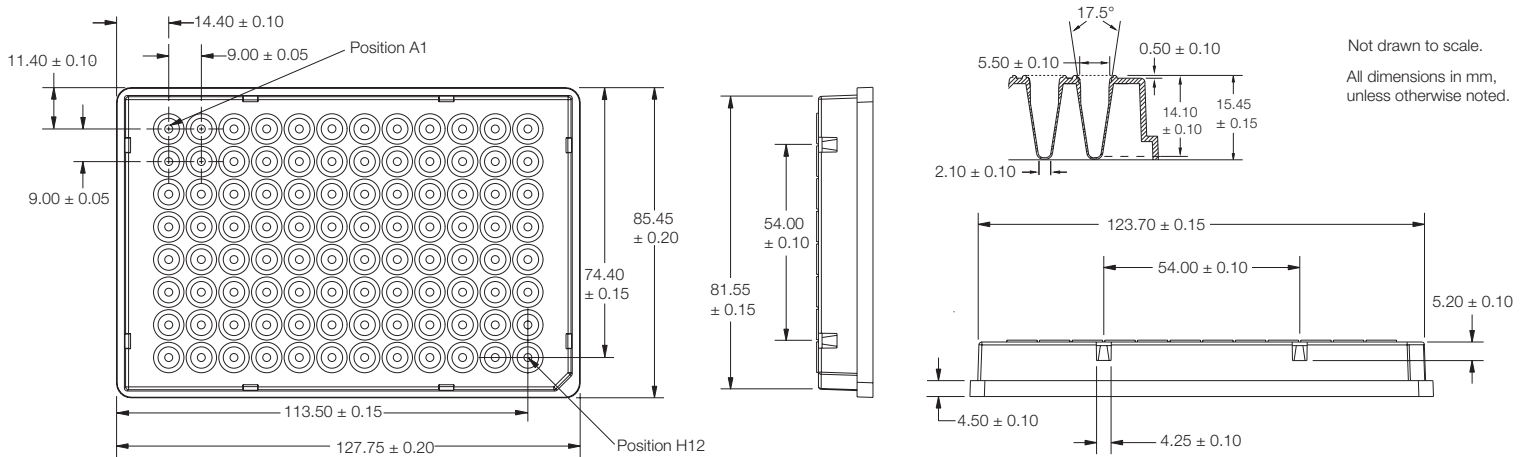


Table 1. Dimensional specifications for all automation-friendly Bio-Rad microplates

Microplate Dimensions	Hard-Shell® 96 Skirted (HSP-9601)	Hard-Shell 384 Skirted (HSP-3801)	Microseal 96 Skirted (MSP-9601)	Microseal 384 Skirted (MSP-3842)	Microseal 96 Semi-Skirted (MSS-9601)
Length at base plane	127.80 mm	127.76 mm	127.75 mm	127.80 mm	124.26 mm
Width at base plane	85.51 mm	85.48 mm	85.45 mm	85.45 mm	83.97 mm
Height overall	16.05 mm	10.40 mm	15.45 mm	9.60 mm	23.2 mm
Well depth	15.25 mm	9.50 mm	14.10 mm	9.10 mm	20.2 mm
Well diameter at opening	5.50 mm	3.10 mm	5.50 mm	3.10 mm	5.5 mm
Well diameter at bottom of conical section	1.90 mm	1.20 mm	2.10 mm	1.20 mm	2.0 mm
Well volume	250 µl	50 µl	220 µl	40 µl	300 µl
Max. sample vol. (in Bio-Rad cyclers)	125 µl	30 µl	125 µl	25 µl	125 µl
Well spacing	9.00 mm	4.50 mm	9.00 mm	4.50 mm	9.0 mm
Well angle	17.5°	17.5°	17.5°	17.5°	17.5°
Well offset					
Left edge to well A1	14.30 mm	12.27 mm	14.40 mm	12.03 mm	12.60 mm
Top edge to well A1	11.10 mm	9.13 mm	11.40 mm	9.10 mm	10.50 mm
Left edge to H12 or P24	113.40 mm	115.50 mm	113.50 mm	115.80 mm	111.60 mm
Top edge to H12 or P24	74.25 mm	76.50 mm	74.40 mm	76.60 mm	73.50 mm



**Bio-Rad
Laboratories, Inc.**

Life Science
Group

Web site www.bio-rad.com **USA** 800 4BIORAD **Australia** 02 9914 2800 **Austria** 01 877 89 01 **Belgium** 09 385 55 11 **Brazil** 55 21 3237 9400
Canada 905 712 2771 **China** 86 21 6426 0808 **Czech Republic** 420 241 430 532 **Denmark** 44 52 10 00 **Finland** 09 804 22 00 **France** 01 47 95 69 65
Germany 089 318 84 0 **Greece** 30 210 777 4396 **Hong Kong** 852 2789 3300 **Hungary** 36 1 455 8800 **India** 91 124 4029300/5013478 **Israel** 03 963 6050
Italy 39 02 216091 **Japan** 03 5811 6270 **Korea** 82 2 3473 4460 **Mexico** 55 5200 05 20 **The Netherlands** 0318 540666 **New Zealand** 64 9415 2280
Norway 23 38 41 30 **Poland** 48 22 331 99 99 **Portugal** 351 21 472 7700 **Russia** 7 095 721 14 04 **Singapore** 65 6415 3188 **South Africa** 27 0861 246 723
Spain 34 91 590 5200 **Sweden** 08 555 12700 **Switzerland** 061 717 95 55 **Taiwan** 886 2 2578 7189/2578 7241 **United Kingdom** 020 8328 2000