

Econo System Rack

Instruction Manual

For Technical Service
Call Your Local Bio-Rad Office or
in the U.S. Call **1-800-4BIORAD**
(1-800-424-6723)



Table of Contents

Section 1	Introduction.....	1
Section 2	Assembly	1
2.1	Standard Casting Stand.....	2
2.2	Combination Casting Stand.....	3
Section 3	Reagents and Accessories for Pulsed Field Electrophoresis.....	4

Section 1

Introduction

The Econo System Rack provides a flexible and convenient means of organizing a chromatography set-up. Constructed of solvent compatible plastic, the rack resists damage from spills and is easily cleaned. Its modular design allows it to work with a wide range of chromatography columns and accessories. The height of the rack, the number of horizontal supports, and the number of column clips can be adjusted to suit virtually any application.

Section 2

Parts List

The Econo System Rack is shipped assembled. Additional parts are provided to enhance its flexibility. Insure that all parts described below have been included. If not, contact your local Bio-Rad representative to arrange a replacement. Please refer to the designation for each part when inquiring.

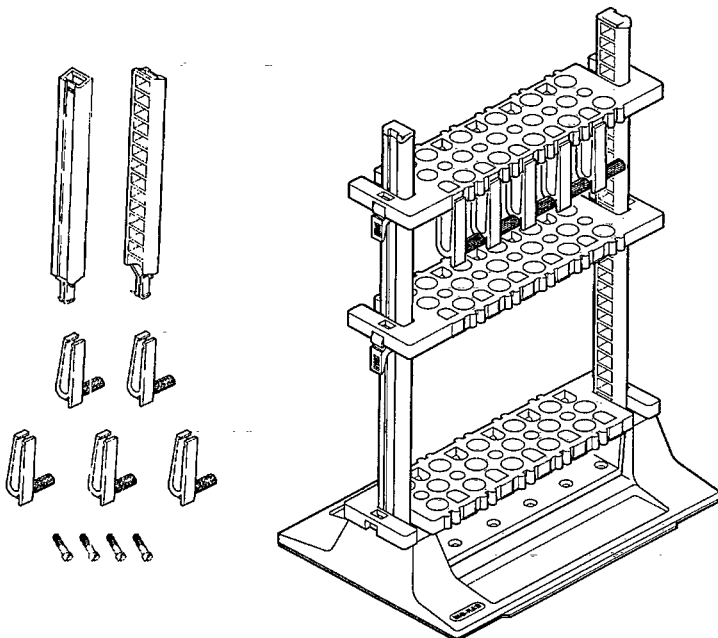


Fig. 1. Parts supplied with the Econo System Rack.

Section 3

Set-Up

The Econo System Rack should be set up on a smooth flat surface. When using the rack with the Econo System, place the flange along the base plate under one of the components to prevent the rack from being pushed over.

Adjusting the horizontal supports:

1. Flip up the horizontal support latches.
2. Adjust the horizontal support to the desired position, making sure it is level.
3. Secure the support by pushing the latches to the down position.

Attaching the column clips:

1. To attach the column clips, push the clip from underneath the horizontal support until it catches on the inside flange of the opening. Then pull the clip forward until it snaps into place.
2. To remove the column clips, pry the clip open and guide it back while pulling down off the horizontal support.

Section 4

Operation

Use with Columns

The rack can be used to secure columns in a variety of ways, as shown in Figure 2.

- A. Columns can be attached using the column clips. Secure columns over 30 cm long in two positions with the column clips.
- B. Disposable columns like Econo-Pac® columns and Poly-Prep® columns can be secured using the holes in the horizontal supports. Smaller Econo-Column® chromatography columns can be held in the same manner.
- C. Columns over 2.5 cm, like 5.0 cm Econo-Column columns, can be secured to the rack with a standard ring clamp. The vertical supports work with most types of ring clamps.

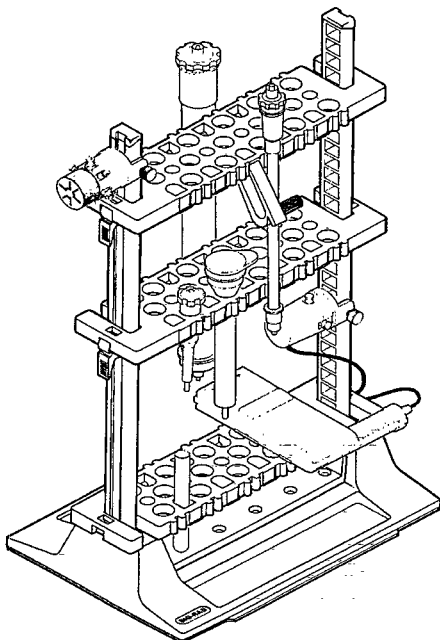


Fig. 2. Columns and accessories attached.

Use with the Tube Rack

The tube rack holds standard 13 mm O.D. test tubes. The holes in the vertical supports line up directly with the holes in the tube rack. This allows columns to drip directly into the tubes.

Use with Accessories

The Econo System Rack provides a platform for most valves, including Bio-Rad's SV-3 diverter valve and the MV-6 injector valve. In addition, the Model EM-1 Optics Module mounts directly on the rack by its mounting feet.

Section 5

Extension of the Rack

For longer columns, or to increase the capacity of the rack, vertical and horizontal supports can be added. See Figure 3.

1. Remove the caps on top of the vertical support using a screw driver.
2. Snap the new vertical supports in place.
3. Secure using the screws.
4. Snap the caps into the vertical supports.

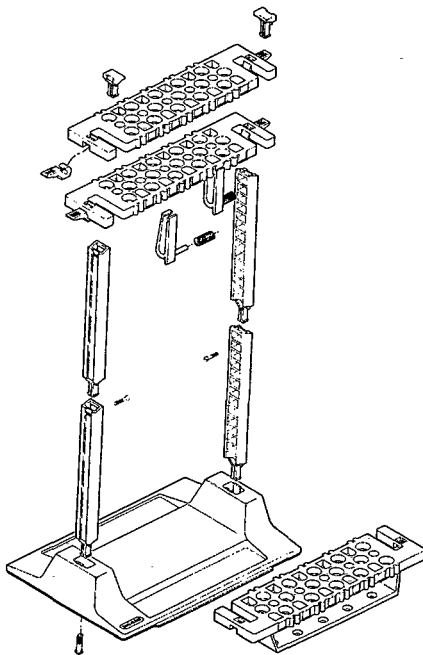


Fig. 3. Rack Assembly.

Section 6

Solvent Compatibility

The rack is constructed of solvent compatible plastic. Although it will resist damage from spills, it is recommended that all spills be cleaned up as soon as possible.

Section 7

Product Information

Catalog Number	Description
731-8200	Econo System Rack
731-8202	Vertical Supports, 4
731-8203	Horizontal Supports, 1
731-8204	Tube rack, 1
731-8205	Clamps, 10
731-8220	Pressure Fittings Kit
731-8235	Solenoid Diversion Valve, Model SV-3
731-8237	Manual Injector, Model MV-6



**Bio-Rad
Laboratories**

**Life Science
Group**

U.S. (800) 4BIORAD California (510) 741-1000 New York (516) 756-2575 Australia
02-805-5000 Austria (1) 877 89 01 Belgium 09-385 55 11 Canada (905) 712-2771
China (01) 2046622 Denmark 39 17 9947 Finland 90 804 2200 France (1) 49 60 68
34 Germany 089 31884-0 India 91-11-461-0103 Italy 02-21609 1 Japan 03-5811-
6270 Hong Kong 7893300 The Netherlands 0318-540666 New Zealand 09-443
3099 Singapore (65) 4432529 Spain (91) 661 70 85 Sweden 46 (0) 735 83 00
Switzerland 01-809 55 55 United Kingdom 0800 181134

SIG 051995 Printed in USA

M7318200 Rev B