

Model 1327 Chart Recorder Instruction Manual

Catalog Numbers

731-8250

731-8252

731-8253

731-8255

For Technical Service

Call Your Local Bio-Rad Office or
in the U.S. Call **1-800-4BIORAD**

(1-800-424-6723)



Warranty

Model _____

Serial Number _____

Date of Delivery _____

Warranty Period _____

The Model 1327 Chart Recorder is warranted for 1 year against defects in materials and workmanship.

If any defects should occur during this warranty period, Bio-Rad will replace the defective parts without charge. However, the following defects are specifically excluded:

1. Damage caused by improper operation.
2. Damage caused by repair or modification done by anyone other than Bio-Rad Laboratories.
3. Damage caused by accident or misuse.
4. Damage caused by disaster.

This warranty does not apply to fuses, pens, and paper.

For inquiry or request for repair service, contact Bio-Rad Laboratories after confirming the model and serial number of your instrument.

Table of Contents

Section 1	Safety	1
Section 2	Introduction	2
Section 3	Unpacking	2
Section 4	Description of Features	3
4.1	Top Panel Controls	3
4.2	Rear Panel Sockets	5
4.3	Bottom Panel/Battery Compartment	6
Section 5	Setting Up	7
5.1	Chart Paper Installation	8
5.2	Pen Installation	8
5.3	Power Adaptor Connection	8
5.4	Connection to the BioLogic HR or BioLogic Systems	8
5.5	Connection to Other Equipment	9
Section 6	Operation with Non Bio-Rad Instruments.....	9
Section 7	Operation with Econo Components.....	10
Appendix A	Remote Control Socket	11
Appendix B	Specifications	12
Appendix C	Product Information	13

Section 1

Safety



Disconnect supply before servicing. No user serviceable parts inside, refer servicing to Bio-Rad service personnel.

This instrument is intended for laboratory use only.

This product conforms to the “Class A” standards for electromagnetic emissions intended for laboratory equipment applications. It is possible that emissions from this product may interfere with some sensitive appliances when placed nearby or in the same circuit as those appliances. The user should be aware of this potential and take appropriate measures to avoid interference.

Section 2

Introduction

The Model 1327 Chart Recorder is a high quality, flat bed recorder for the laboratory environment, specifically for use as an integral part of Bio-Rad's chromatography systems. The Model 1327 Chart Recorder monitors two signals simultaneously. It has 14 range settings (1 mV to 20 V), 12 paper speed settings (1 cm/hr to 60 cm/min) and can be used with most UV/Vis monitors, conductivity monitors, RI monitors, and pH meters as well as other instruments. When the Model 1327 is used as an integral part of Bio-Rad's chromatography systems, the pen lift and paper feed functions are controlled automatically. The recorder has a battery compartment which can provide uninterrupted operation (up to 30 hours) in the event of a power failure.

Section 3

Unpacking

Carefully remove the contents of the shipping box and check for any obvious damage or problems with the instrument. Table 2.1 lists all of the parts included with the Model 1327 Chart Recorder. Check off all parts against the supplied packing list.

If any parts are missing or damaged, contact Bio-Rad Laboratories immediately.

Table 3.1. Parts supplied with the Model 1327 Chart Recorder

Model 1327 Chart Recorder
Power Adaptor
Disposable Red and Blue Pens (one of each)
Chart Paper (one)
Spare Fuse (one)
Banana Cables (two sets)

Section 4

Description of Functions

The following tables and illustrations describe the Model 1327 Chart Recorder functions and controls.

4.1 Top Panel Controls for Model 1327 Chart Recorder

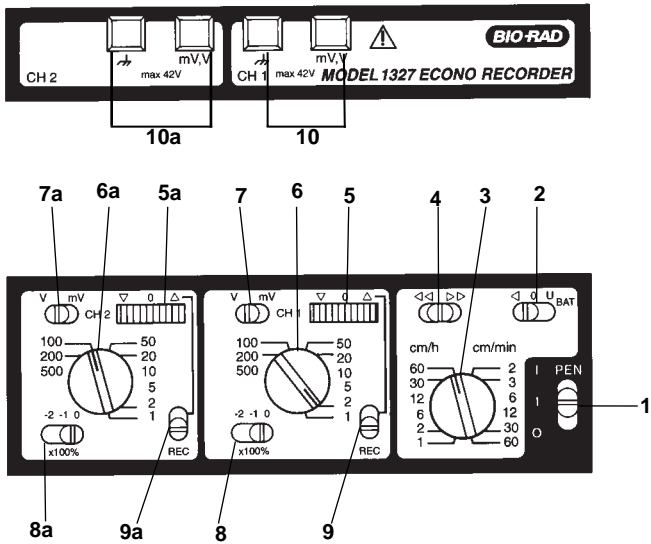


Fig. 3.1.1. Top panel controls for Model 1327 Chart Recorder.

- | | |
|--------------------------------------|-------------------------------------|
| 1. Main Switch | 7. Sensitivity Switch (Ch. 1) |
| 2. Mode Switch/Battery Check | 7a. Sensitivity Switch (Ch. 2) |
| 3. Paper Speed Dial | 8. Zero Suppression Switch (Ch. 1) |
| 4. Manual Paper Feed | 8a. Zero Suppression Switch (Ch. 2) |
| 5. Baseline Adjustment Dial (Ch. 1) | 9. REC/0 Switch (Ch. 1) |
| 5a. Baseline Adjustment Dial (Ch. 2) | 9a. REC/0 Switch (Ch. 2) |
| 6. Range Selector (Ch. 1) | 10. Signal Input Release (Ch. 1) |
| 6a. Range Selector (Ch. 2) | 10a. Signal Input Release (Ch. 2) |

Table 4.1.1. Functional Description of Top Panel Controls for the Model 1327 Chart Recorder

Note: The green settings on the front panel are used to denote recommended settings when the 1327 Model Chart Recorder is used with the BioLogic HR or the BioLogic LP systems.

Control	Setting	Function
Main Switch	0	Power off
	1	Power on/pen up
	1 PEN	Power on/pen down
Mode Switch	0	Paper feed off
	<	Paper feed on
	U_{BAT}	Battery check
Paper Speed	12 settings	Sets paper speed from 1 cm/hr to 60 cm/min
Manual Paper Feed	>>	Paper advance
	<<	Paper reverse
Sensitivity Switch	mV	Sets range selector to read in mV DC
	V	Sets range selector to read in V DC
Range Switch	9 settings	The Range Selector sets the range of full scale deflection from 1 mV to 500 V. The Model EM-1 Econo UV Monitor output is 1 V (maximum safe voltage is 42 V).
Zero Suppression	0	Normal operation
	-1	Baseline is lowered 10 cm. Allows user to chart peaks that would normally run off-scale

Control	Setting	Function
	-2	Baseline is lowered 20 cm. Allows user to chart peaks that would normally run off-scale
REC/0 Switch	REC	Use the REC setting whenever recording, or when setting the chart baseline to equal the signal baseline.
	0	Use the 0 setting to set the chart baseline equal to 0 V .
Baseline Adjustment	variable	Use this dial for adjustment of the baseline position (see REC/0 switch)
Signal Input Release		Releases bare leads from signal inputs

4.2 Rear Panel Sockets of Model 1327 Chart Recorder

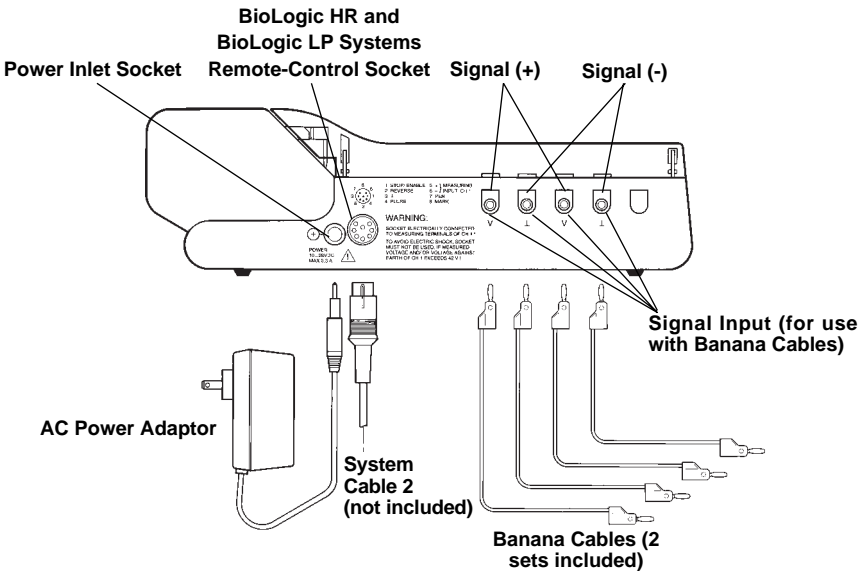


Fig. 3.2.1. Rear panel sockets of Model 1327.

Function	Comment
Power Inlet Socket (12 V DC)	For connection of power adaptor -WARNING- Verify that the voltage rating on the power adaptor matches the mains voltage. If it does not, contact Bio-Rad Laboratories.
Signal Input	The ⊥ socket and the black banana cable should be connected to the signal negative (-). The V socket and the red banana cable should be connected to the signal positive (+). Two separate channels are available on Model 1327. -WARNING- This Chart Recorder should not be used to measure signals greater than 42 V.
BioLogic HR and BioLogic LP Systems Remote Control Socket	Signal input for use with Bio-Rad's chromatography systems. Control of pen lift, paper direction, paper feed, event marks, fraction marks, and analog input is accessible through this 8-pin standard DIN socket. Refer to Appendix B for technical information regarding the use of this socket with equipment other than the Bio-Rad chromatography systems.

4.3 Bottom Panel/Battery Compartment of Model 1327 Chart Recorder

When mains power is not available, the Model 1327 Chart Recorder will operate on nine C batteries. The battery compartment is in the bottom panel. Either rechargeable (NiCd) or non-rechargeable batteries may be used. Batteries are not available from Bio-Rad.

Function	Comment
BATT/ACCU Switch	The ACCU position is for continual battery recharging. Use the ACCU position only when rechargeable batteries are installed. Use the BATT position when non-rechargeable batteries are installed.

Function	Comment
	-WARNING- The BATT/ACCU switch must never be in the ACCU position when non-rechargeable batteries are in the unit. They may explode.
Fuse Holder	The fuse holder is in the battery compartment. The unit is shipped with a fuse installed. The fuse rating is T 1A/250 V slow blow. -WARNING- Before replacing fuses, disconnect the power cable. Never use fuses rated at other than the recommended values.
Spare Fuse Compartment	This compartment provides space for four spare fuses. The recorder is shipped with one spare fuse. Extra fuses can be purchased from Bio-Rad Laboratories. Call Technical Services or your local Bio-Rad representative for more information.

Section 5 Setting Up

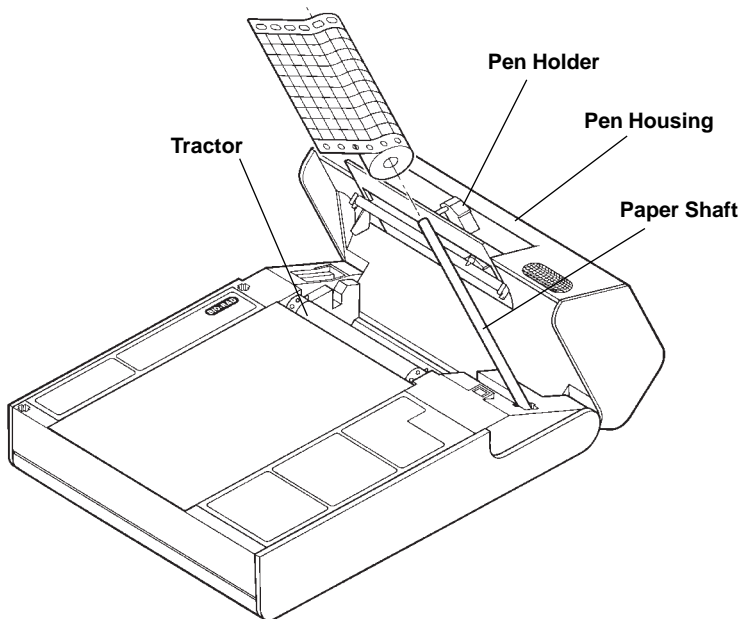


Fig. 4.1.1. Chart paper and pen installation.

5.1 Chart Paper Installation

1. Open the pen housing to expose the paper shaft (refer to Figure 4.1).
2. Raise the chart paper shaft and slide on a roll of chart paper.
3. Lower the paper shaft and adjust the paper so that the pins on the tractor line up with the perforations in the paper.
4. Close the pen housing.

5.2 Pen Installation

Insert pens into their respective pen holder until the pen stops (see Figure 4.1). To keep pens from drying out when recorder is not in use, cap the pens immediately.

5.3 Power Adaptor Connection

-WARNING- Verify that the voltage rating on the power adaptor matches your mains voltage. If it does not, contact Bio-Rad Laboratories before using the Model 1327 Chart Recorder.

1. Make sure that the main switch is in the "0" position.
2. Plug the power adaptor cord into the power inlet socket on the rear panel of the recorder.
3. Plug the power adaptor unit into a grounded mains outlet.

5.4 Connection to the BioLogic HR or BioLogic LP Systems

When the Model 1327 Chart Recorder is used with the BioLogic HR or BioLogic LP Systems, signal input, control of pen lift, and paper feed is accomplished using the Remote Control socket (refer to Section 3.2). Before connecting a Model 1327 Chart Recorder to the chromatography system, first set all top panel controls to the settings labeled in green (refer to Section 3.1).

The Model 1327 Econo Recorder receives UV input via channel 1 and conductivity input via channel 2. Use System Cable 2 (8-pin mini-DIN to 8-pin standard DIN) to connect the UV signal to channel one of the Model 1327 Chart Recorder. Plug the standard DIN end of the System Cable 2 into the Remote Control Socket of the Chart Recorder. Plug the mini-DIN end of System Cable 2 into the UV optics or UV chart socket on the rear of the BioLogic LP or BioLogic HR Systems.

Use System Cable 4 (8-pin mini-DIN to banana cable) to connect the conductivity signal to the banana plug signal inputs (channel 2) of the Model 1327 Chart Recorder. Plug the mini-DIN end of System Cable 4 into the COND chart socket of the BioLogic HR or BioLogic LP Systems. Insert the black and red banana leads into the corresponding ground (\perp) and voltage (V) inputs for channel 2 of the Model 1327 Chart Recorder.

5.5 Connection to Other Equipment

If the Model 1327 Chart Recorder is to be used with other laboratory equipment, use the black lead of a banana cable to connect the negative (-) output to the (\perp) socket on the rear panel of the Model 1327 Chart Recorder. Use the red lead of a banana cable to connect the positive (+) output of the equipment to the V socket on the rear panel of the Model 1327 Chart Recorder (refer to Figure 3.2.1). Repeat this procedure for connection of the second signal input to channel 2 of the Model 1327 Chart Recorder.

Section 6 Operation with Non Bio-Rad Instruments

There are a number of ways to collect data using the Model 1327 Chart Recorder. To some extent the method of data collection will depend upon the application and other instruments being used. Below is one scenario suitable in most situations.

1. Set up the Model 1327 Chart Recorder as described in Section 4.
2. Turn on the instrument that will be providing the analog signal and allow it to warm up. Make sure that baseline conditions have been established.
3. Using the sensitivity switch and the range selector, set the input range of both channels to 20 V.
4. Set the zero suppression switch of both channels to the "0" position.
5. Select an appropriate paper speed using the paper speed dial.
6. Set the REC/0 switch to the REC position on both channels.
7. Set the mode switch to the "0" position.
8. Turn the chart recorder on by placing the main switch in the "1" position.

9. Set the input range of the recorder to correspond to the output of the instruments. Use the baseline adjustment dial to move the pen to a position over the 50% mark on the chart paper. Reduce the input range one setting at a time (20 V, 10 V, 5 V...) until the proper setting for the instrument providing the analog signal is reached. If the pen starts to move away from center, use the baseline adjustment dial to return it to the 50%.
10. When the proper range setting is reached, use the baseline adjustment dial to position the pen to the desired position.
11. The Model 1327 Chart Recorder is now ready for recording. Place the main switch in the 1 PEN position to lower the pen, and place the mode switch in the < position to start the paper.

Section 7

Operation with Econo Components

Below is a brief description of functions which can be accessed when two or more Econo System components are connected. For a more in depth discussion of these functions, refer to the manual of the specific instrument (indicated in parentheses).

Event Mark (source)	Description
Collection Marks (Model EP-1 Econo Pump)	Large ticks are superimposed on the trace when the diverter valve changes from waste to collect or vice versa.
Manual Event Marks (Model EM-1 Econo UV Monitor)	Large ticks are superimposed on the trace when the event mark key on the Model EM-1 Econo UV Monitor is pressed.
Fraction Advance Marks (Model 2110 Fraction Collector)	Small ticks are superimposed on the trace each time the carousel on the Model 2110 Fraction Collector advances.
Valve Change Marks (Model EV-1 Buffer Selector)	Large ticks are superimposed on the trace each time the Model EV-1 Buffer Selector changes buffer ports.

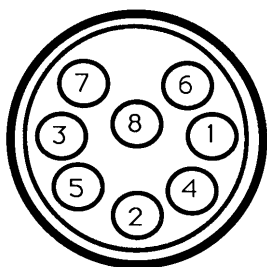
Appendix A

Remote Control Socket

The Remote Control Socket is an 8-pin standard socket (DIN 45 326) that allows Bio-Rad chromatography instruments to control the chart recorder functions via System Cable 2 (refer to Section 3.2 and 4.4). The following information is provided for those wishing to use this socket with non-Bio-Rad equipment. System Cable 6 may be used as a breakout cable to access these functions.

Using the Remote Control Socket, all functions can be controlled by TTL signals, or by contact closure to ground. All inputs are active. Table B gives the pin assignments for the remote-control socket.

Table B. Remote Control Socket Pin Assignments.



Function	Pin	Notes
Paper stop	1	Enables pulse function (pin 4)
Reverse paper	2	
Ground	3	Digital ground
Pulse	4	
Signal positive	5	42 V maximum
Signal negative	6	
Pen down	7	
Event mark	8	

Appendix B

Specifications

General Information

Number of channels	2
Recording width	100 mm
Recording medium	Chart paper, 0...100 linear, 50 divisions
Pen types	Disposable felt pens, recording length: approximately 1,000 m
Dead zone	0.3% of FSV
Linearity	0.25%
Chart feed	Driven by quartz-controlled and microcomputer-controlled stepper motor
Speed	12 feed rates selectable by switch: 1-2-6-12-30-60 cm/h, 2-3-6-12-30-60 cm/min
Measuring ranges (calibrated)	1-2-5-10-20-50-100-200-500 mV DC, 1-2-5-10-20 V DC (maximum 42 V)
Zero suppression (calibrated)	2 x 100% manual, accuracy 0.2% of the set value
Accuracy	0.5% of FSV
Zero	Continuous setting from -100% to +105%; check by means of zero switch
Input	Floating, asymmetrical, maximum admissible potential difference between input and earth
Input resistance	1 M Ω
Source resistance	Nominal value 100 Ω maximum admissible: 1 k Ω Ranges V: nominal value 100 Ω maximum admissible: 1 k Ω
Ambient conditions	Reference temp. range: +20 °C to +25 °C Operating temp. range: 0 °C to +50 °C Storage and shipment temp.: -40 °C to +70 °C
Safety regulations	ÖVE/VDE 0411/IEC 348/UL 1244
Power input	Approximately 1 W for pen deflection of up to 0.5 Hz; maximum 3 W
Fuse	Fuse DIN 41662 or 41662/5 diameter x 20 mm, or UL 198 G/6.3 diameter x 32 mm mains circuit SE 110, T 1.00 (1.00 AT) for slow acting
Dimensions	320 x 231 x 90 mm (W x D x H)
Weight	Approximately 3 kg (including NiCd batteries)

Appendix C

Product Information

Catalog Number	Product Description
731-8250	Model 1327 Chart Recorder , with USA, Canada, Japan, Mexico, Taiwan and Latin America power adaptor
731-8253	Model 1327 Chart Recorder , with UK, Commonwealth power adaptor
731-8255	Model 1327 Chart Recorder , with European power adaptor
167-0220	Disposable Fiber Tip Blue Short Pens , 3, lifetime approximately 1,000 m
167-0221	Disposable Fiber Tip Red Long Pens , 3, lifetime approximately 1,000 m
731-8198	Chart Paper , 2 rolls: 10 cm x 13m
731-8194	Power Adaptor for USA, Canada, Japan, Mexico, Taiwan, Latin America
731-8195	Power Adaptor for UK, Commonwealth (Except Canada, Australia, and New Zealand)
731-8197	Power Adaptor for Europe (Except the UK) and Other Countries Not Specifically Listed
731-8262	System Cable 2 , 8-pin mini-DIN to 8-pin standard DIN, for connection of Model 1327 Chart Recorder to the Model EM-1 Econo UV Monitor, The BioLogic HR System, or The BioLogic LP System UV Signal
731-8264	System Cable 4 , 8-pin mini-DIN to banana cable, connects for connection of Model 1327 Chart Recorder to the Model EG-1 Gradient Monitor, The BioLogic System HR, or The BioLogic LP System Conductivity Signal
731-8266	System Cable 6 , 8-pin standard DIN to bare wires. To connect Recorder to any detector
731-8346	Power Cord , Chart Recorder to BioLogic LP Controller. To power the Model 1327 directly from the BioLogic LP.

Bio-Rad sells a complete line of integrated chromatography systems for protein purification. For information on the BioLogic System family of products, contact your local Bio-Rad representative.

BIO-RAD

**Bio-Rad
Laboratories**

*Life Science
Group*

Web site www.bio-rad.com **USA** (800) 4BIORAD **Australia** 02 9914 2800
Austria (01) 877 89 01 **Belgium** 09-385 55 11 **Brazil** 55 21 507 6191
Canada (905) 712-2771 **China** 86-10-8201-1366/68 **Denmark** 45 44 52-1000
Finland 358 (0)9 804 2200 **France** 01 47 95 69 65 **Germany** 089 318 84-177
Hong Kong 852-2789-3300 **India** (91-124) 6398112/113/114 **Israel** 03 951 4124
Italy 34 91 590 5200 **Japan** 03-5811-6270 **Korea** 82-2-3473-4460
Latin America 305-894-5950 **Mexico** 52 5 534 2552 to 54
The Netherlands 0318-540666 **New Zealand** 64-9-4152280 **Norway** 47-23-38-41-30
Russia 7 095 979 98 00 **Singapore** 65-2729877 **Spain** 34-91-590-5200
Sweden 46 (0)8-55 51 2700 **Switzerland** 061-717-9555 **United Kingdom** 0800-181134

Sig 1200

M7318190 Rev F