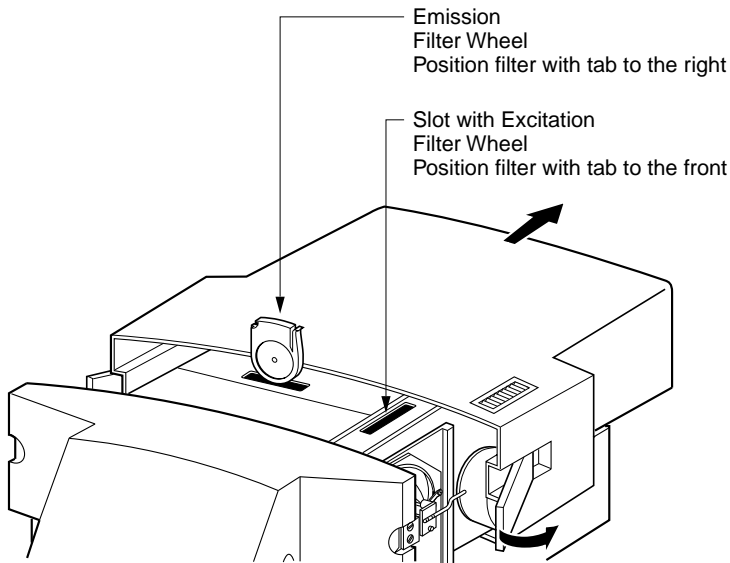


# Installation of iQ™ Filters

**Note:** Please consult iQ Instruction Manual for correct filter position assignments.



- \* Cy is a registered trademark of Amersham/Pharmacia Biotech.
- \* VIC is a registered trademark of the Perkin-Elmer Corporation.
- \* Texas Red and SYBR are registered trademarks of Molecular Probes.