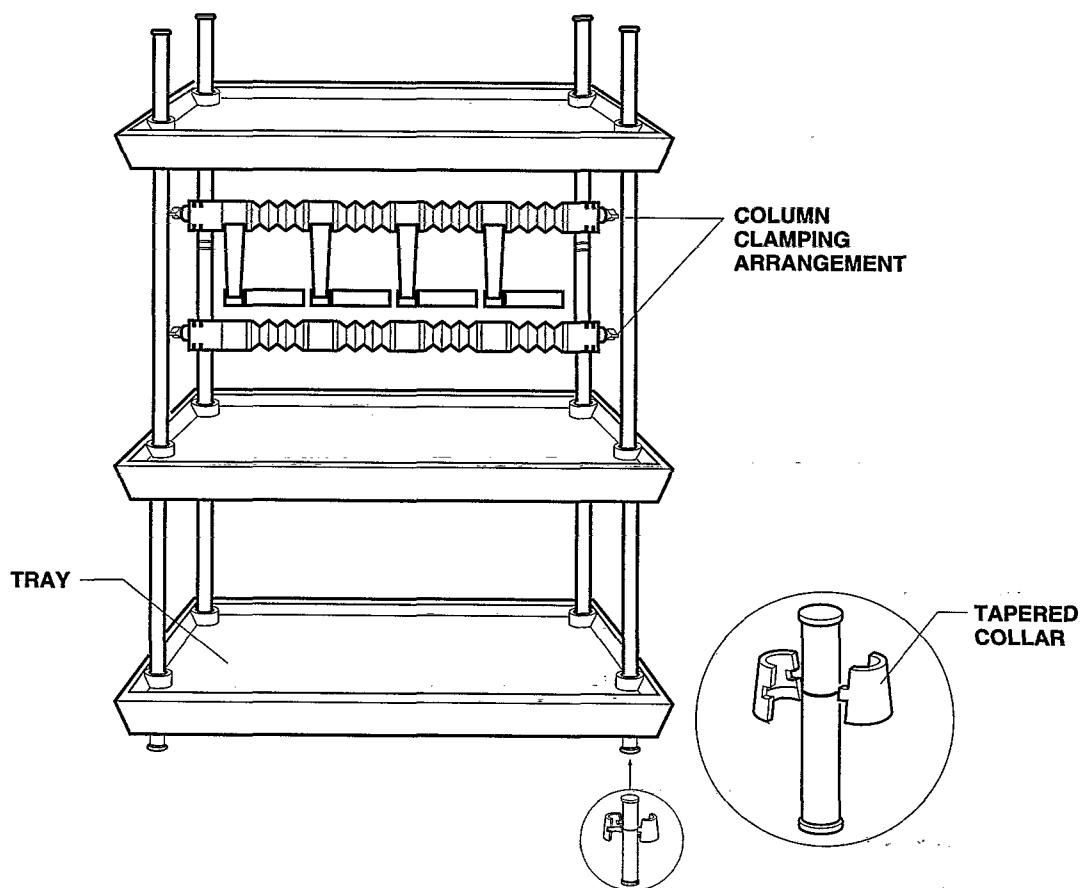




BIOLOGIC RACK EXPANSION KIT

CATALOG NUMBER 750-0268

The standard rack that is supplied with the BioLogic System consists of 1 tray, 2 long vertical bars, 2 short vertical bars, a horizontal bar and a column clamping arrangement. The illustration below shows one example of the BioLogic System Rack with the 2 additional trays and vertical support bars from the Rack Expansion Kit.



As you follow the procedure below, keep in mind that the illustration above is only an example. Alternative rack arrangements include mounting the column clamping arrangement on the side of the rack, mounting the column clamping arrangement to hold all columns outside the rack or short and/or heavy columns inside the rack, and setting up the rack to use only two trays.

1. If the standard rack is already assembled, the first step is to disassemble it. You must remove all attached valves, cable guides, the optics module, and the column clamping arrangement.
2. Replace the two short vertical bars with the long vertical bars. (All four holes of the bottom tray will then have long vertical bars.) Insert the rods from underneath the tray so that the ends with the attached tapered sleeves produce a firm fit in the holes.

410-6039
S# 2 OF 3

3. Attach a 2-part collar to either of the grooves in the middle of all four long vertical bars. The collars are tapered and should be oriented so that the wide part of the taper is oriented towards the bench.
4. Place the second tray on top of the four collars and press firmly to seat the tray. Repeat these instructions to add the upper tray.
5. Mount the two piece column clamping arrangement across any two vertical bars using the attached thumbscrews.

Technical Assistance

For additional help, contact your local Bio-Rad representative. In the United States, call Technical Service 1-800-4BIORAD.

Ordering Information

| | |
|----------|--------------------------------------------------------|
| 750-0268 | Rack expansion kit (2 trays, 2 vert. bars, 16 collars) |
| 750-0260 | Column clamp set |
| 750-0261 | Rack tray, 1 (8 collars, 1 drain/plug) |
| 750-0262 | Vertical bar, long, 2 |
| 750-0263 | Vertical bar, short |
| 750-0264 | Horizontal bar kit (2 tie bars, 4 bar clamps) |
| 750-0265 | Bar clamps, 5 |
| 750-0266 | Cable Manager clips, 4 |
| 750-0269 | Wrench set |

410-6039
SH 3 OF 3