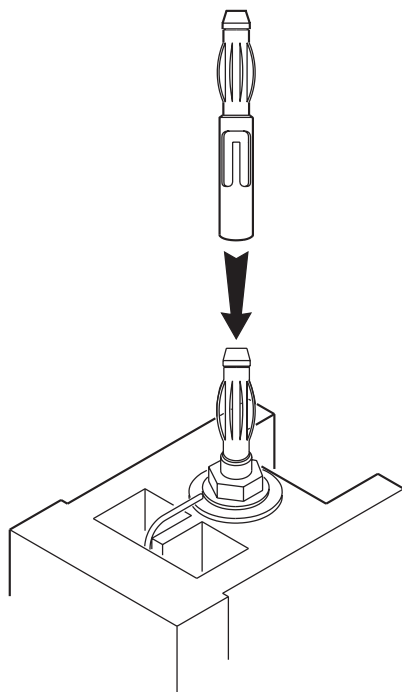


Instructions for Safety Lid Installation

If your BIO-RAD electrophoresis module is already fitted with the longer 37 mm banana plugs, you will not need to use the attached adapters; your present banana plugs are already the proper length and are compatible with the enclosed Safety Lid.

This replacement Safety Lid complies with IEC-1010-1* safety standards. If your electrophoresis module predates our compliance with IEC-1010-1 regulations, you will need to use the enclosed adapters to modify your electrophoresis module or blotting card. These adapters allow your module to fit the new Safety Lid. The two snap-on adapters extend the shorter, 21 mm, male banana plugs to 37 mm, for use with the newer lids. Simply slip the adapter over the 21 mm banana plug and press down to lock the adapter in place. This modification will allow your instrument to be used with the Safety Lid and meet IEC-1010-1 safety standards.



If you require further assistance, in the US please phone our Technical Service Department at 1-800-4BIORAD (1-800-424-6723). Outside the US, please contact your local Bio-Rad representative.

* IEC-1010-1 is an internationally recognized safety standard

Bio-Rad Laboratories, 2000 Alfred Nobel Drive, Hercules, Ca 94547