

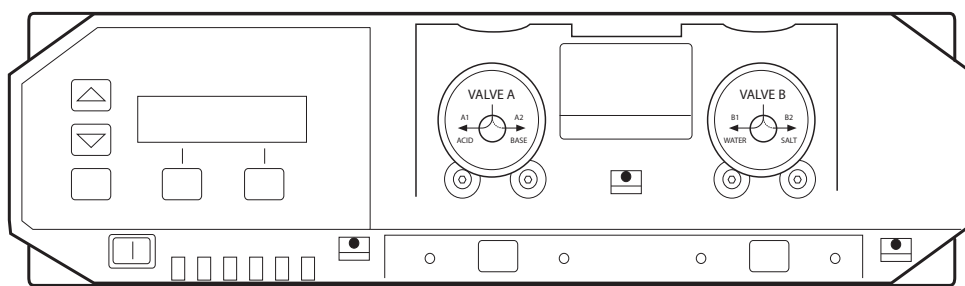


BioLogic Maximizer™ Base

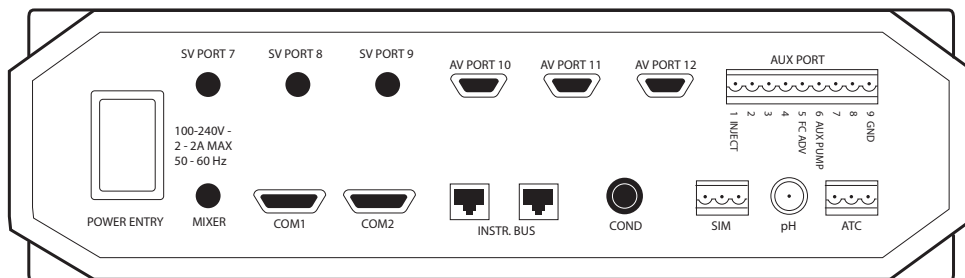
Catalog #760-2000

The Maximizer base unit contains the following components:

Maximizer base	760-2000
System Cable 30, BioLogic™ communication cable, 1 ft (0.30 m)	760-2004
combicon connectors	



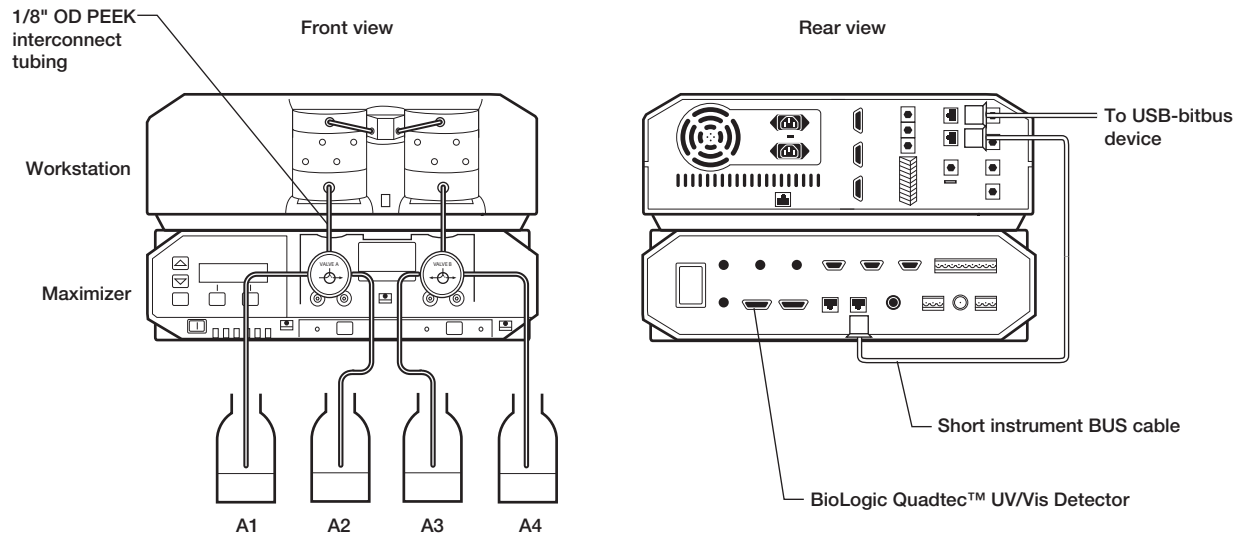
Maximizer front



Maximizer rear

Installation Instructions

1. Ensure that electrical power to the BioLogic DuoFlow™ workstation and Dell controller/computer is turned off.
2. The Maximizer should be positioned directly underneath the BioLogic DuoFlow workstation.
3. Connect the short instrument bus cable (System Cable 30) to the workstation and Maximizer rear connection ports labelled **INSTR BUS**.
4. Connect the workstation to the Dell controller/computer via the USB Bitbus Communicator (instructions are provided with the communicator). The BioLogic DuoFlow system USB Bitbus Communicator is the communication link between the BioLogic DuoFlow controller/computer, the BioLogic DuoFlow workstation, and associated peripherals such as a BioLogic Maximizer valve system, any signal import modules (SIMs), an Econo™ gradient pump, and any fraction collectors.



Plumbing the BioLogic Maximizer

The BioLogic Maximizer tubing kit provides colored PTFE 1/8" OD/0.062" ID prefitted tubing lengths.

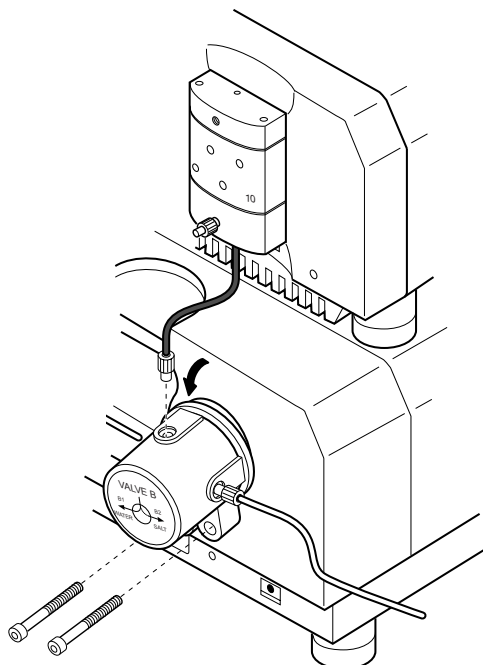
Plumbing the Buffer Reservoirs to the Inlets on BioLogic Maximizer Valves A and B

1. Identify the following components from the BioLogic Maximizer tubing kit:
 - The red tubing labeled Inlet A1 connects the buffer container to valve port A1.
 - The blue tubing labeled Inlet A2 connects the buffer container to valve port A2.
 - The yellow tubing labeled Inlet B1 connects the buffer container to valve port B1.
 - The green tubing labeled Inlet B2 connects the buffer container to valve port B2.

For complete discussion of tubing installation, refer to the diagram included in the tubing kit.
2. Screw the tubing into the inlet connectors on the sides of the valves. Ensure a firm connection but do not overtighten.

Plumbing the Maximizer Valve Outlets to the Workstation Pump Inlets

1. Connect the two preformed fittings provided between the Maximizer valve outlet ports and the workstation pump inlet ports. Connect to the workstation first.
2. Because the tubing is rigid, you will need to lower the valves in order to connect the tubing. This requires loosening the two screws at the base of each valve so that you can tilt the valve downward. Refer to the illustration on the next page.
3. Insert the tubing fitting into the outlet port and screw in the fitting.



Connection of Buffer Reservoirs

Buffer reservoirs are connected to Maximizer valves A and B using the BioLogic Maximizer Tubing Kit (catalog #760-2002).

Connection of Peripheral Device

Peripheral devices such as a pH monitor, mixer, AVR and SV valves, conductivity cell, and auxiliary pumps should be connected to the rear of the Maximizer with extra valves, etc., connected to the workstation. If more than three AVR and three SV valves are needed, additional valves should be connected to the rear of the workstation. The exception to this connection scheme is the UV detector that always connects to the workstation.

If a BioLogic QuadTec UV/Vis detector is used, it should be connected to **COM1** on the BioLogic Maximizer. The analog signal output from a third-party detector (e.g., fluorescence, refractive index) should be connected to the combicon connector labelled SIM.

PEEK is a trademark of Victrex, PLC. Dell is a trademark of Dell, Inc.

BIO-RAD

**Bio-Rad
Laboratories, Inc.**



Life Science
Group

Web site www.bio-rad.com **USA** 800 424 6723 **Australia** 61 2 9914 2800 **Austria** 43 1 877 89 01 **Belgium** 03 710 53 00 **Brazil** 55 11 3065 7550
Canada 905 364 3435 **China** 86 21 6169 8500 **Czech Republic** 420 241 430 532 **Denmark** 44 52 10 00 **Finland** 09 804 22 00
France 01 47 95 69 65 **Germany** 49 89 31 884 0 **Greece** 30 210 9532 220 **Hong Kong** 852 2789 3300 **Hungary** 36 1 459 6100 **India** 91 124 4029300
Israel 03 963 8050 **Italy** 39 02 216091 **Japan** 81 3 6361 7000 **Korea** 82 2 3473 4460 **Mexico** 52 555 488 7670 **The Netherlands** 0318 540666
New Zealand 64 9 415 2280 **Norway** 23 38 41 30 **Poland** 48 22 331 99 99 **Portugal** 351 21 472 7700 **Russia** 7 495 721 14 04
Singapore 65 6415 3188 **South Africa** 27 (0) 861 246 723 **Spain** 34 91 590 5200 **Sweden** 08 555 12700 **Switzerland** 026 674 55 05
Taiwan 886 2 2578 7189 **Thailand** 1800 88 22 88 **United Kingdom** 020 8328 2000