

ShockPod™ Shocking Chamber

Catalog Number 165-2669

The ShockPod Shocking chamber is designed to be used with the Gene Pulser Xcell system, the Gene Pulser II system, and the Micropulser. To use the ShockPod, insert the banana jacks of the ShockPod into the connectors for the shocking chamber on the electroporator.

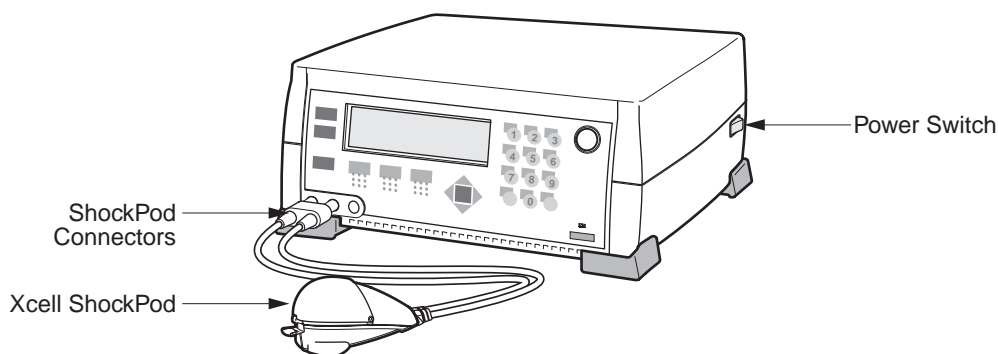


Fig. 1. Connecting the ShockPod to the Gene Pulser Xcell main unit. Note that the jacks of the ShockPod are inserted into the left and center connectors on the Gene Pulser Xcell.

Operation

The ShockPod is designed for one-hand operation. Press the tab on the front of the chamber to release the latch and to open the top. Push the top down gently to close the chamber. The safety design of the system requires that the top be closed for a pulse to be delivered to the electrodes. If the instrument is pulsed with the lid open, no pulse is delivered to the ShockPod and there is no danger to the user.

The cuvette slot will accept any standard cuvette. Bio-Rad cuvettes are designed with a notch on one of the non-electrode sides so they may be inserted into the cuvette slot only in the proper orientation.

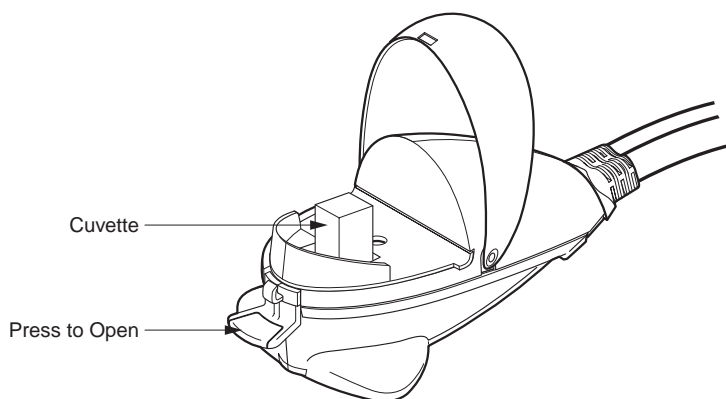


Fig. 2. ShockPod with cuvette.

Maintenance

The plastic panel covering the electrode may be removed for cleaning should the electrode become dirty.

1. Disconnect the ShockPod from the electroporator.
2. Press the tab to open the chamber.
3. Using a phillips screwdriver, loosen the screw holding the safety panel. Lift the screw and the safety panel out of the ShockPod by the lip on the front of the panel.
4. The area around the electrodes may be cleaned with a cotton swab and warm, soapy water. Dry the electrodes using a dry cotton swab or Kimwipe.
5. Reassemble the unit by centering the safety panel on the base of the ShockPod and tightening the screw.

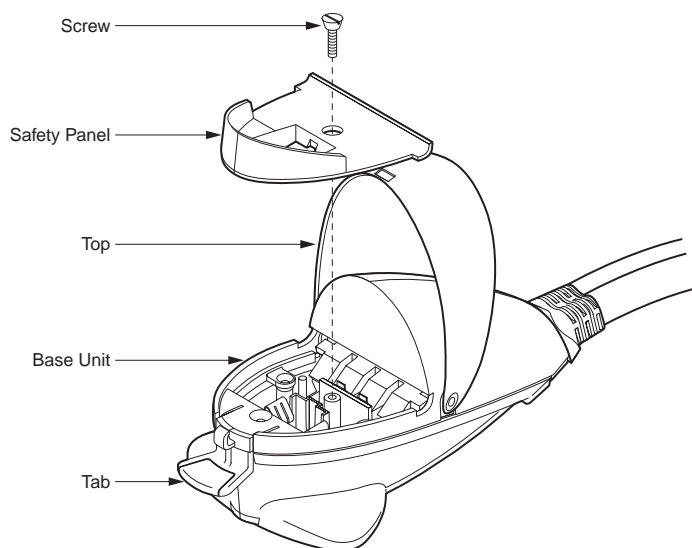


Fig. 3. Exploded view of the Gene Pulser Xcell ShockPod.

For a complete Gene Pulser Xcell instruction manual or technical service, call your local Bio-Rad office or visit our website at www.discover.bio-rad.com.

BIO-RAD

**Bio-Rad
Laboratories, Inc.**

Life Science
Group

Web site www.bio-rad.com USA (800) 4BIORAD Australia 02 9914 2800 Austria (01)-877 89 01 Belgium 09-385 55 11 Brazil 55 21 507 6191
Canada (905) 712-2771 China (86-21) 63052255 Czech Republic (420) 2-4141 0532 Denmark 45 44 52-1000 Finland 358 (0)9 804 2200
France 01 47 95 69 65 Germany 089 318 84-177 Hong Kong 852-2789-3300 India (91-124) 6398112/113/114, 6450092/93 Israel 03 951 4127
Italy 39 02 216091 Japan 03-5811-6270 Korea 82-2-3473-4460 Latin America 305-894-5950 Mexico 52 5 534 2552 to 54
The Netherlands 0318-540666 New Zealand 64-9-4152280 Norway 47-23-38-41-30 Poland (48) 22-8126 672 Portugal 351-21-472-7700
Russia 7 095 721 1404 Singapore 65-2729877 South Africa 00 27 11 4428508 Spain 590 5200 Sweden 46 (0)8-55 51 27 00 Switzerland 061 717-9555
United Kingdom 0800-181134