

# BioFrac H3 Fraction Collection Racks

Catalog Number 741-0015

Dear Bio-Rad Customer,

The BioFrac collector is designed to accommodate a variety of rack options. These include off the shelf and custom molded racks.

The BioFrac H3 off-the-shelf racks accommodate 16 mm scintillation vials. Assembly is required. See Table 1 listing for available racks for use with the BioFrac Fraction Collector.

## Unpacking

Remove the contents of the box. Check all of the parts against the following packing information.

Item Number	Quantity	Contents of Fittings Kit
1	4	H3 Racks , 16 mm scintillation vials

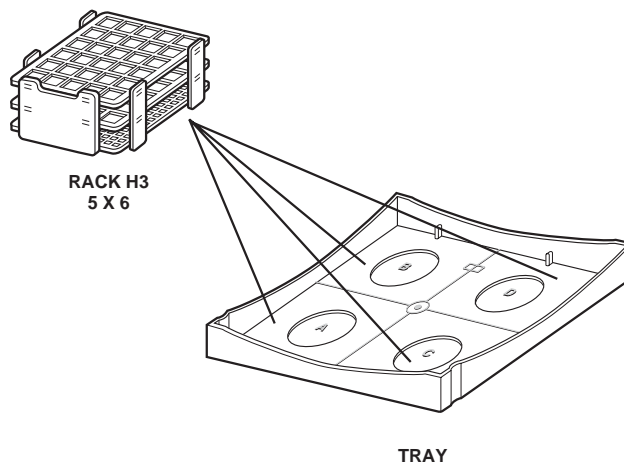
Please check to insure that you have a complete set of components. In case of missing parts or other problems, contact your local representative, or in the United States, call Customer Service at 1-800-4BIORAD.

## Assembly

A rack is composed of three parts, the base, middle tier, and top tier. To assemble place the base on a flat surface. Bend the long tabs and end plates up (tabs and end plates are used to secure the tiers into position). Next, snap the tabs on the lower tier into the tab holes on the base. Snap the tabs on the top tier into place.

## BioFrac Fraction Collector Placement

Racks H3: Place the Rack Positioning Tray into the base of the fraction collector (deep side faces down). Insert each rack within the tray rack guides. Per the instructions in the BioFrac Fraction Collector Instruction Manual, adjust the fraction collector control module appropriate for the height of the microtubes.



## BioFrac Fraction Collector Racks

To order additional racks contact Bio-Rad Laboratories at (800)424-6723, option 1 or visit us at our web site [www. Bio-Rad.com](http://www.Bio-Rad.com).

Rack ID	Catalog #	Description	Rack capacity	Format	Tubes per rack
F1	741-0010	12-13 mm diameter tube 150 mm height	2	6 x 15	90 (180)
F2	741-0011	15-16 mm diameter tube; 150 mm height Grip Rack	2	5 x 12	60 (120)
F3	741-0012	18-20 mm diameter tube; 150 mm height Grip Rack	2	4 x 10	40 (80)
H1	741-0013	1.5-2.0 ml capless microtubes	4	6 x 7	42 (168)
H2	741-0014	0.5 ml capless microtubes	4	7 x 9	63 (252)
H3	741-0015	16 mm scintillation vials	4	5 x 6	30 (120)
H4	741-0016	30 mm scintillation vials	4	2 x 3	6 (24)
Ice Bath/ Microplate Rack	741-0017	Ice bath for 13 mm diameter tubes or microplate and microtiter tube rack holder for	1	10 x 12	120
		*96-well	4 plates	8 x 12	96 wells (384)
		*48-well	4 plates	6 x 8	48 wells (192)
		*24-well	4 plates	4 x 6	24 wells (96)
		*12 well	4 plates	3 x 4	12 wells (48)
		*Microtiter tubes	4 racks	8 x 12	96 wells (384)
224-4872	<i>* must adhere to the SBS standard format.</i>				
Prep-20	741-0018	Preparative rack	1		20 funnels
Positioning Tray	Included with unit	250 ml bottle	1		4 Bottles

Additional No Wire™ racks which meet the formats specified within the table are available from ScienceWare, ([www.belart.com](http://www.belart.com)).