

BioFrac F1 Fraction Collection Racks

Catalog Number 741-0010

Dear Bio-Rad Customer,

The BioFrac collector is designed to accommodate a variety of rack options. These include off the shelf and custom molded racks.

The BioFrac F1 off-the-shelf racks accommodate 12-13 mm diameter tubes. Assembly is required. See Table 1 listing for available racks for use with the BioFrac Fraction Collector.

Unpacking

Remove the contents of the box. Check all of the parts against the following packing information.

| Item Number | Quantity | Contents of Fittings Kit |
|-------------|----------|---------------------------------------|
| 1 | 2 | F1 Racks , 12-13 mm, 90 tube position |

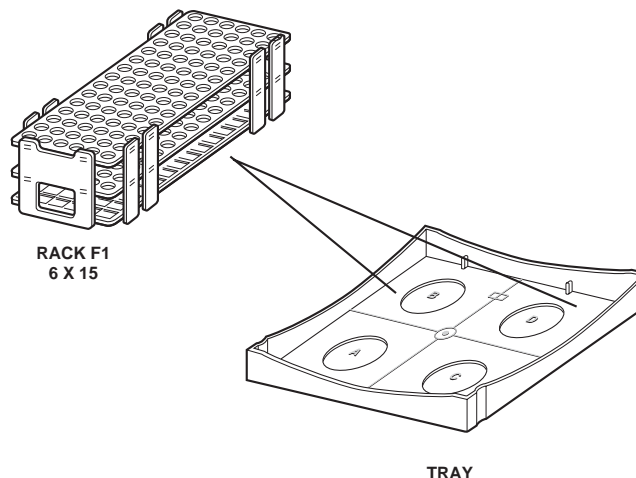
Please check to insure that you have a complete set of components. In case of missing parts or other problems, contact your local representative, or in the United States, call Customer Service at 1-800-4BIORAD.

Assembly

A rack is composed of three parts, the base, middle tier, and top tier. To assemble place the base on a flat surface. Bend the long tabs and end plates up (tabs and end plates are used to secure the tiers into position). Next, snap the tabs on the lower tier into the tab holes on the base. Snap the tabs on the top tier into place.

BioFrac Fraction Collector Placement

Racks F1: Place the Rack Positioning Tray into the base of the fraction collector (deep side faces up). Insert each rack within the tray rack guides. Per the instructions in the BioFrac Fraction Collector Instruction Manual, adjust the fraction collector control module appropriate for the height of the (up to 150 mm heights are accommodated).



BioFrac Fraction Collector Racks

To order additional racks contact Bio-Rad Laboratories at (800)424-6723, option 1 or visit us at our web site [www. Bio-Rad.com](http://www.Bio-Rad.com).

| Rack ID | Catalog # | Description | Rack capacity | Format | Tubes per rack |
|---------------------------------|--|---|---------------|---------|----------------|
| F1 | 741-0010 | 12-13 mm diameter tube 150 mm height | 2 | 6 x 15 | 90 (180) |
| F2 | 741-0011 | 15-16 mm diameter tube; 150 mm height Grip Rack | 2 | 5 x 12 | 60 (120) |
| F3 | 741-0012 | 18-20 mm diameter tube; 150 mm height Grip Rack | 2 | 4 x 10 | 40 (80) |
| H1 | 741-0013 | 1.5-2.0 ml capless microtubes | 4 | 6 x 7 | 42 (168) |
| H2 | 741-0014 | 0.5 ml capless microtubes | 4 | 7 x 9 | 63 (252) |
| H3 | 741-0015 | 16 mm scintillation vials | 4 | 5 x 6 | 30 (120) |
| H4 | 741-0016 | 30 mm scintillation vials | 4 | 2 x 3 | 6 (24) |
| Ice Bath/ Microplate Rack | 741-0017 | Ice bath for 13 mm diameter tubes or microplate and microtiter tube rack holder for | 1 | 10 x 12 | 120 |
| | | *96-well | 4 plates | 8 x 12 | 96 wells (384) |
| | | *48-well | 4 plates | 6 x 8 | 48 wells (192) |
| | | *24-well | 4 plates | 4 x 6 | 24 wells (96) |
| | | *12 well | 4 plates | 3 x 4 | 12 wells (48) |
| | | *Microtiter tubes | 4 racks | 8 x 12 | 96 wells (384) |
| 224-4872 | <i>* must adhere to the SBS standard format.</i> | | | | |
| Prep-20 | 741-0018 | Preparative rack | 1 | | 20 funnels |
| Positioning Tray | Included with unit | 250 ml bottle | 1 | | 4 Bottles |

Additional No Wire™ racks which meet the formats specified within the table are available from ScienceWare, (www.belart.com).