

BioFrac Fittings Kit

Catalog Number 741-0007

Dear Bio-Rad Customer,

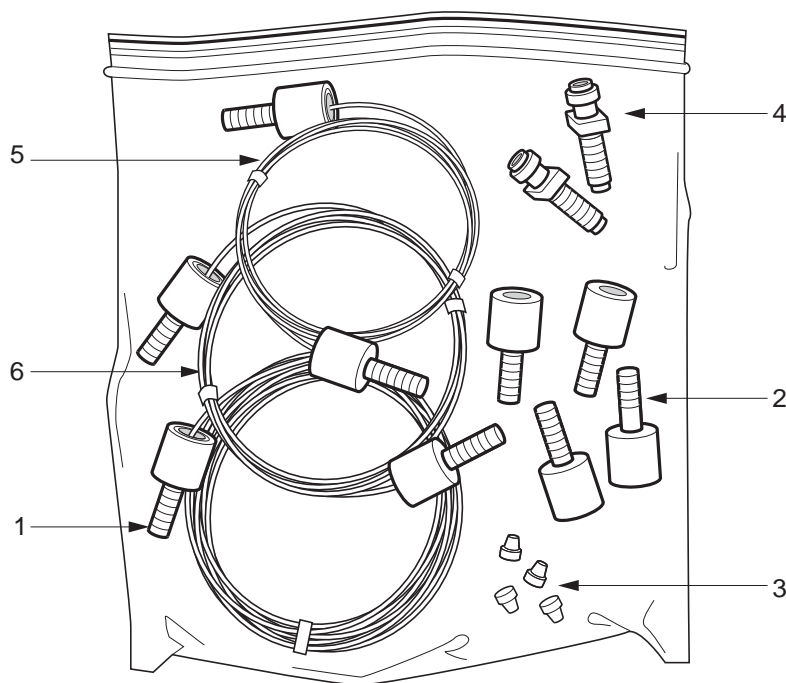
The BioFrac fittings kit contains all the fittings and tubing necessary for immediate setup of the BioFrac fraction collector to chromatography systems compatible with 1/4-28 or Luer Lok fittings..

Unpacking

Remove the contents of the box. Check all of the parts against the following packing information.

Item Number	Quantity	Contents
1	1	Waste tubing assembly, Tefzel®, 1/16 OD, .030 ID
2	4	Fittings, 1/4-28, 1/16 OD
3	4	Ferrules, 1/16 OD
4	2	Union, Luer to 1/4-28
5	1	Standard Collect tubing assembly (orange)
6	1	High flow Collect tubing assembly (green)

Please check to insure that you have a complete set of components. In case of missing parts or other problems, contact your local representative, or in the United States, call Customer Service at 1-800-4BIORAD.



Directions for use of the BioFrac Fittings Kit

1. Connect the pre-assembled tubing, supplied in the Fitting kit, to the “Collect” port of the divert valve and to the drop head of the BioFrac fraction collector. Use the 0.02” ID (orange) tubing for flow less than 20 ml/min and the 0.03” ID (green) tubing for flow rates greater than 20 ml/min.

Note: the diverter valve is rated to a maximum pressure of 30 psi.

2. Attach the 1/4-28 fitting on the waste tubing assembly, supplied in the Fraction Collector fittings kit to the “Divert” port of the divert valve and the other end to a waste collection vessel.
3. Attach the tubing from your chromatography system to the “Common” port on the divert valve using either a 1/4-28 fitting or Luer to 1/4-28 Union. The BioFrac fittings kit includes 1/4-28 fittings for use with 1/16” OD tubing and luer to 1/28 unions.

Note: If the tubing in the BioFrac fittings kit is not being used to plumb the fraction collector, keep all tubing lengths as short as possible to reduce the delay volume and back pressure. Tubing choice is dependent on the flow rate and pressure characteristics of the pumping system. For flow rates above 20 ml/min, use tubing with 0.03” ID or 1/8” OD, 0.062” ID (available from most tubing/fitting suppliers).