

BioLogic Optics Module Flow Cell

catalog number 750-0210 and 750-0212

Included with this flow cell are the following:

- Thick gasket, 1**
- Thin gasket, 1**
- Bottom seal gasket, 1**

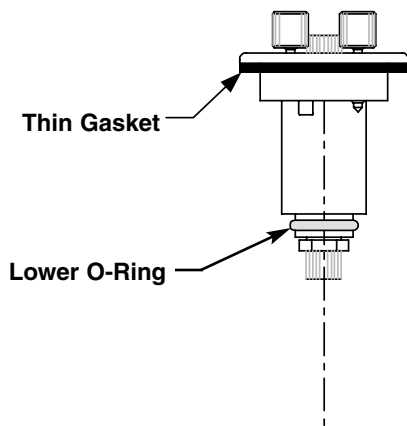
They may or may not be needed, depending on the model number of the BioLogic Optics Module.

BioLogic Optics Module, Model OM-II

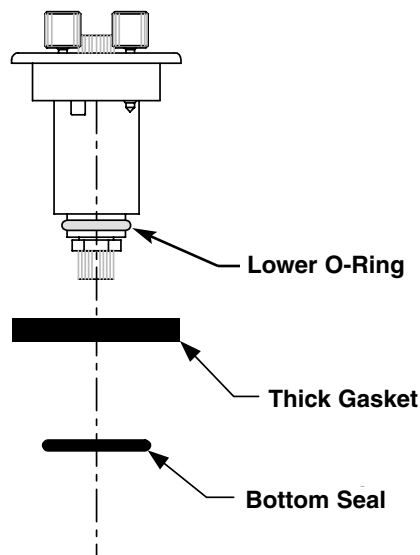
If you have the BioLogic Optics Module, Model OM-II that begins with serial number 362BR, simply place the flow cell into the Optics Module and do not use either the thick gasket or bottom seal. The design of the Model OM-II optics module ensures a secure fit with the flow cell alone and does not require use of either the thick gasket or bottom seal.

BioLogic Optics Module, Model OM-10

If you have the BioLogic Optics Module, Model OM-10 that begins with serial number 345BR, it is necessary to remove the thin gasket from the flow cell and replace it with the thick gasket. Remove the lower o-ring and install the bottom seal gasket around the bottom of the flow cell, in the groove where the lower o-ring was retained, then place it into the Optics Module. The gaskets ensure a secure fit between the flow cell and the Optics Module, preventing stray light from causing erratic readings.



For Serial Number
362BR



For Serial Number
345BR