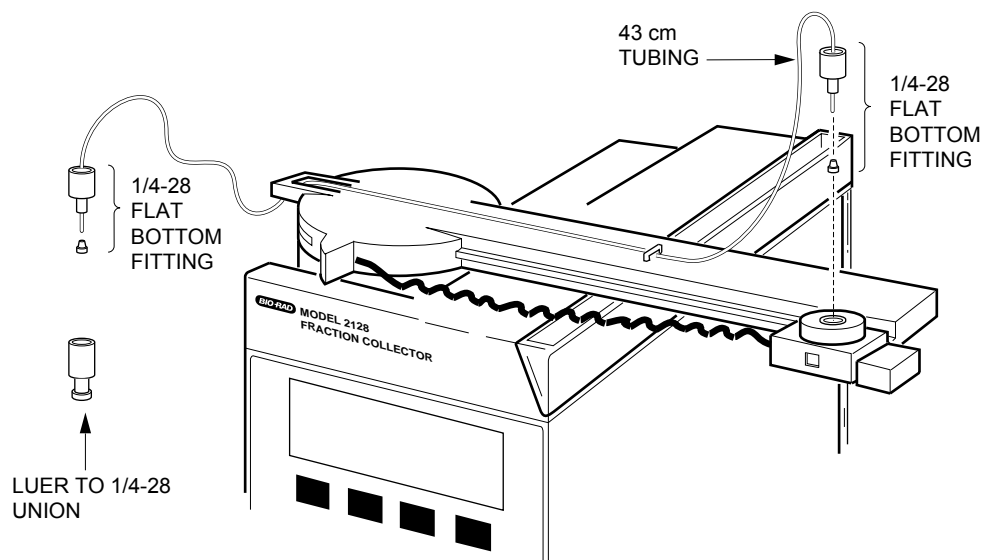




# MODEL 2128 FRACTION COLLECTOR FITTINGS KIT

**CATALOG NUMBER 731-8234**



To connect the inlet tubing, you will need the following:

- 43 cm length of 1/16" OD, 0.020" ID tubing. (Tefzel® or PTFE tubing is recommended.) Use tubing that is cleanly cut and not flattened or deformed.
- Two 1/4-28 Flat bottom fittings.

**Notes:** Keep all tubing lengths as short as possible to reduce the delay volume.

Tubing choice is dependent on the flow rate and pressure characteristics of the pumping system. For flow rates below 40 ml/min, use the supplied 1/4-28 fittings for 1/16" OD, 0.02 or 0.03 ID tubing. For higher flow rates, use 1/8" OD, 0.062" ID tubing connected by a 1/4-28 nut and ferrule (available from most tubing/fitting suppliers).

Thread the tubing through the tubing guides on the dispenser arm.

Attach the 1/4-28 flat bottom fittings to the tubing. One end screws into the top of the dispenser head, and the other goes to the luer union which connects to tubing from the column.

Ensure that the dispenser arm is in its Park position before power up.