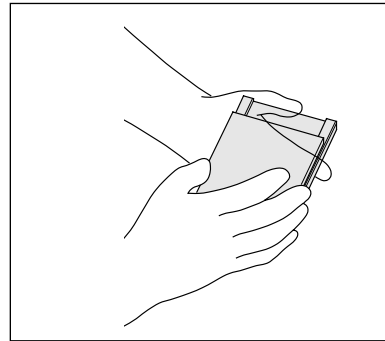


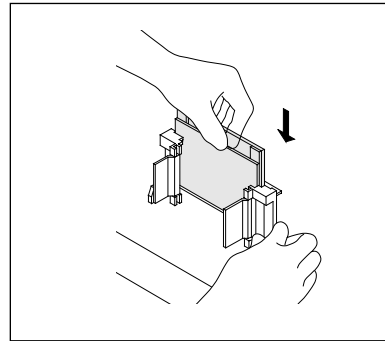
Mini-PROTEAN[®] 3 Cell Assembly Guide

Gel Cassette Preparation¹

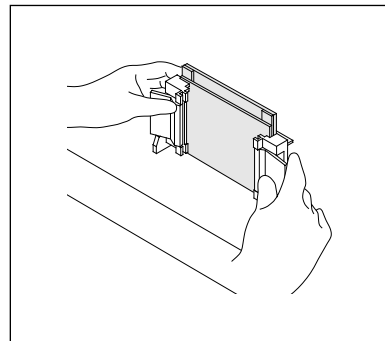
1. Place a Short Plate on top of the Spacer Plate.



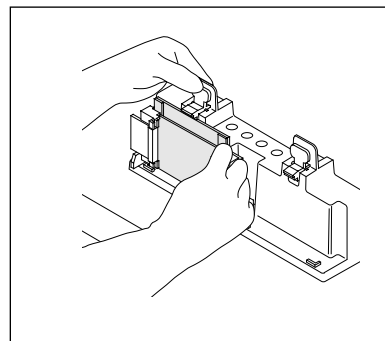
2. Slide the two plates into the Casting Frame, keeping the Short Plate facing front. Insure both plates are flush at the bottom on a level surface.



3. Lock the pressure cams to secure the glass plates.



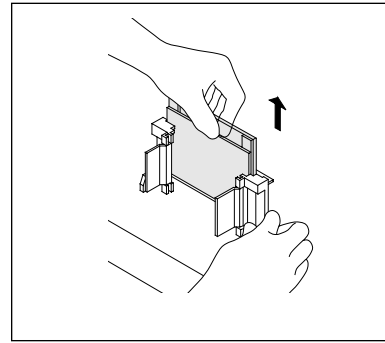
4. Engage the spring loaded lever and place the gel cassette assembly on the gray casting stand gasket. Insure the horizontal ribs on the back of the Casting Frame are flush against the face of the Casting Stand and the glass plates are perpendicular to the level surface. The lever pushes the Spacer Plate down against the gray rubber gaskets.



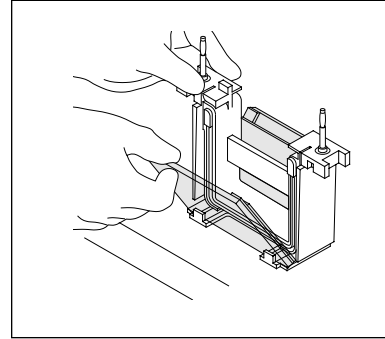
¹ Please refer to the instruction manual for further explanation and technical notes.

Mini-PROTEAN 3 Electrophoresis Module Assembly

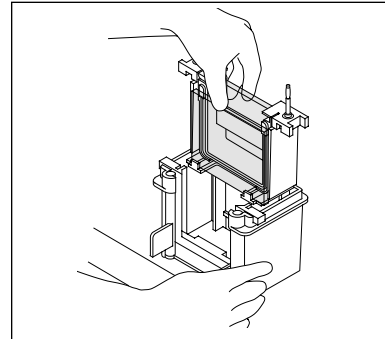
1. Remove the Gel Cassette Sandwich from the Casting Frame.



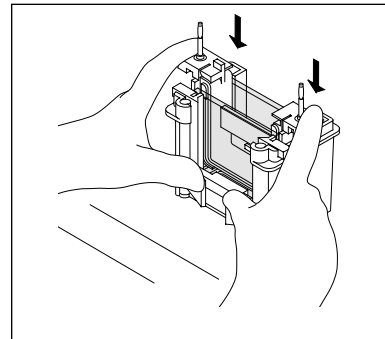
2. Place the Gel Cassette Sandwich into the Electrode Assembly with the Short Plate facing inward.



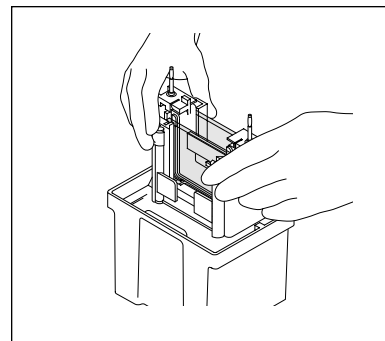
3. Slide Gel Cassette Sandwiches and Electrode Assembly into the clamping frame.



4. Press down the Electrode Assembly while closing the two cam levers of the Clamping Frame.



5. Lower the Inner Chamber into the Mini Tank.



**Bio-Rad
Laboratories, Inc.**

Life Science
Group

Web site www.bio-rad.com USA (800) 4BIORAD Australia 02 9914 2800 Austria (01)-877 89 01 Belgium 09-385 55 11 Brazil 55 21 507 6191
Canada (905) 712-2771 China 86-10-8201-1366/68 Denmark 45 44 52-1000 Finland 358 (0)9 804 2200 France 01 47 95 69 65 Germany 089 318 84-177
Hong Kong 852-2789-3300 India (91-124) 6398112/113/114 Israel 03 951 4124 Italy 34 91 590 5200 Japan 03-5811-6270 Korea 82-2-3473-4460
Latin America 305-894-5950 Mexico 52 5 534 2552 to 54 The Netherlands 0318-540666 New Zealand 64-9-4152280 Norway 47-23-38-41-30
Russia 7 095 979 98 00 Singapore 65-2729877 Spain 34-91-590-5200 Sweden 46 (0)8-55 51 27 00 Switzerland 061-717-9555 United Kingdom 0800-181134