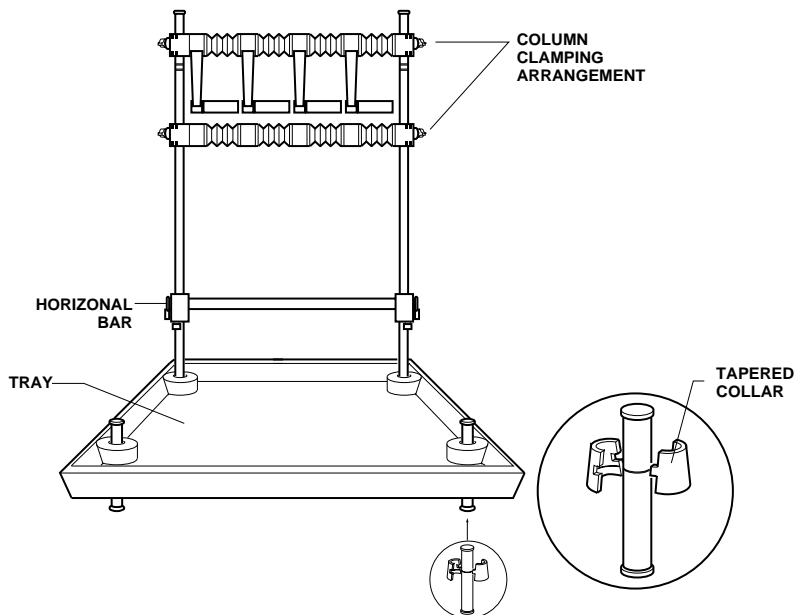
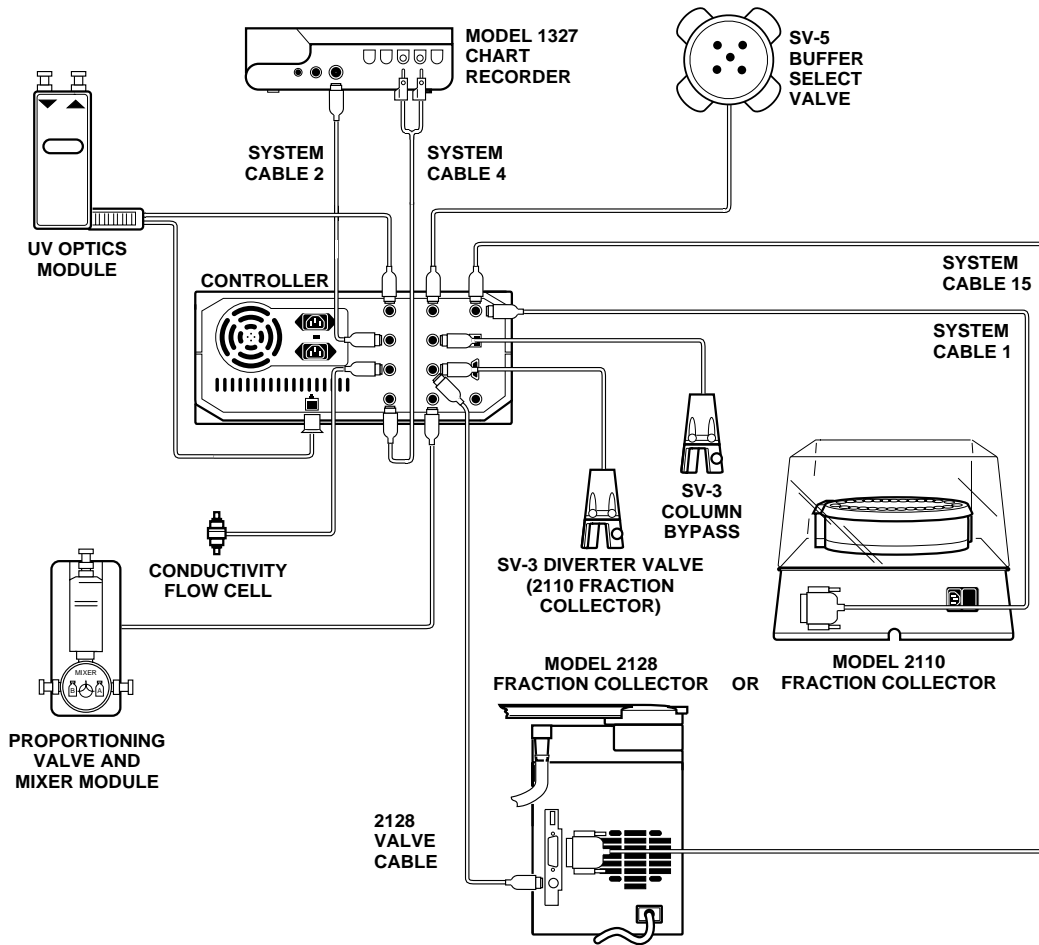
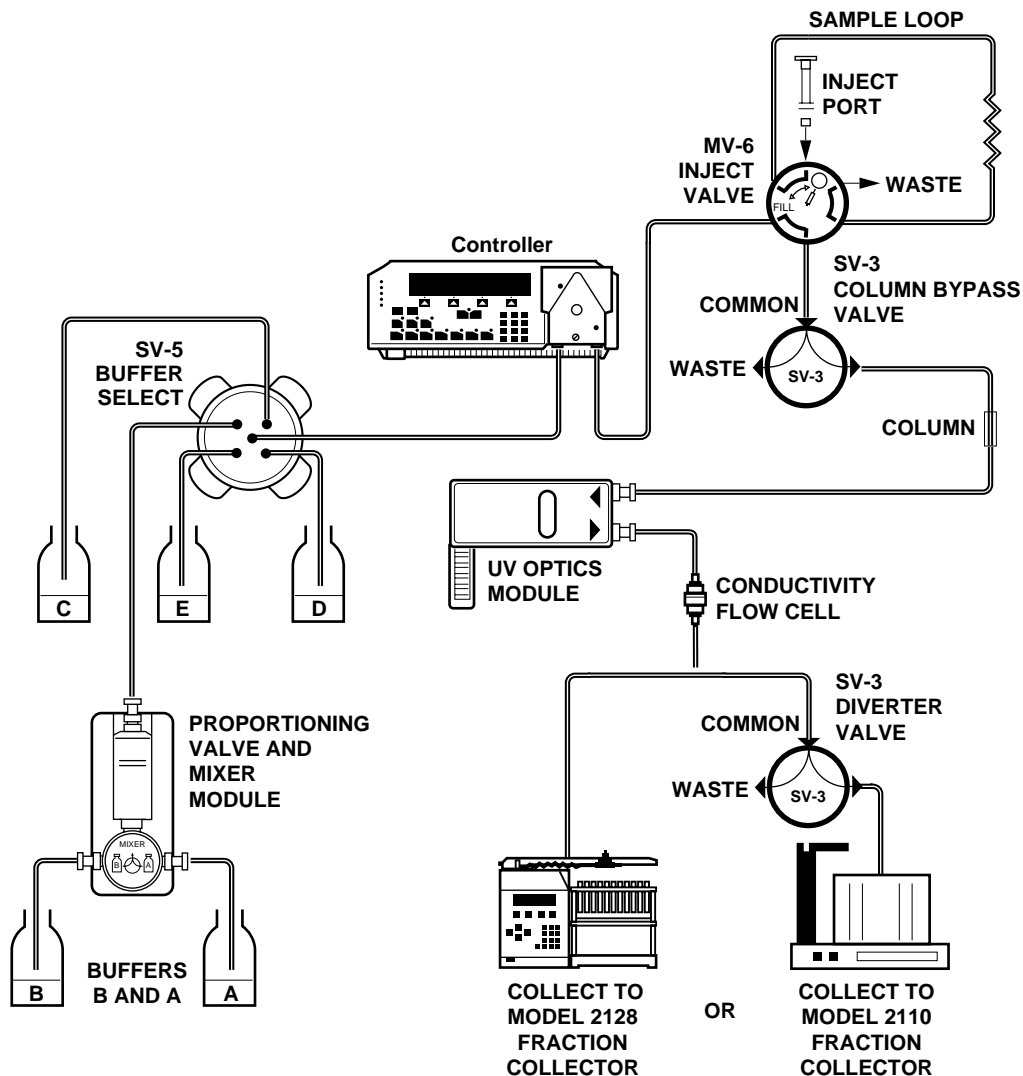


BioLogic LP Electrical Connections



BioLogic LP Rack Assembly

BioLogic LP Plumbing Diagram



For complete assembly instructions,
consult the BioLogic LP User Manual

BIO-RAD

Bio-Rad
Laboratories

Life Science
Group

U.S. (800) 4BIORAD • California (510) 741-1000 • New York (516) 756-2575 • Australia 02-805-5000 • Austria (1)-977 89 01 • Belgium 09-385 55 11 • Canada (905) 712-2771 • China (01) 2046622 • Denmark 39 17 9947 • Finland 90 804 2200 • France (1) 49 60 68 34 • Germany 089 318 84-0 • India 91-11-461-0103 • Italy 02-21609 1 • Japan 03-5611-6270 • Hong Kong 7893300 • The Netherlands 0318-540666 • New Zealand 09-443 3099 • Singapore (65) 4432529 • Spain (91) 661 70 85 • Sweden 46 (0) 8-735 83 00 • Switzerland 01-809 55 55 • United Kingdom 0800 181134

SIG 051995 Printed in USA